

15" Glass Bridge Monitor™

ELECTRICAL DESCRIPTION

Display Characteristics:

Type:	15.0" Active Matrix TFT
Dot Number:	1024 x 768 Pixels
Dot Pitch:	0.297 mm
Active Display Area:	304.1 x 228.1 mm
Response Time:	12 ms - Average @ 25°C
Contrast Ratio:	500:1
Brightness/Light Intensity:	550 cd/m ²
Viewing Angles (at CR>10):	70° Left/Right, 60° Up / 60°Down
Backlight Life:	50,000 Hours - Typical
Colour Depth:	16.7 Million - Depending on Graphics card

Deep Dimming:

Range: 0 to 100%

DVI-D Input:

Digital Interface: DVI 1.0 Compatible Interface

Analog RGB Input:

Analog:	RGB 0.7-2.0v p-p
Impedance:	75 Ohms
Synchronisation:	Sync-on-Green (-ve) 0.3V
Auto Detect:	VGA to UXGA

Synchronisation Range:

Horizontal Scan ¹ :	15 ~ 100 kHz
Vertical Scan ¹ :	50 ~ 75 Hz
Note 1) Dependent on resolution	

Resolutions:

VESA Support for:	UXGA 1600 x 1200
	SXGA 1280 x 1024
	XGA 1024 x 768 (Optimised Resolution)
	SVGA 800 x 600
	VGA 640 x 480

Composite Video Input:

Input Source: PAL, NTSC & SECAM with 'Picture In Picture' PIP Facility

Input Voltage (AC and/or DC):

AC Input:	115 & 230VAC 50/60 Hz
DC Input:	24VDC +30% -20%

Power Consumption:

AC Supply:	TBA
DC Supply:	TBA

Environmental:

Operating Temperature ² :	32 ~ +131°F / 0 ~ +55°C (IEC 60945)
Storage Temperature:	-4 ~ +140°F / -20 ~ +61 °C
Operating Humidity:	30% ~ 95% (Non-Condensing)
Storage Humidity:	10% ~ 95% (Non-Condensing)
Shock:	10g, 11msec ½ Sine Wave
Vibration:	+/-1mm, 2 to 13Hz:0.7g 13 to 100Hz
Note 2) We DO NOT recommend routine operation @ extreme temperatures.	

MECHANICAL DESCRIPTION

Construction:

Finish:	Front Panel - Bonded Glass
	Rear Housing - Brushed Aluminium
Housing:	Chemically treated Aluminium
Front Sealing:	Waterproof NEMA 6 / IP67
Protective Safety Glass:	Bonded & Optically Enhanced
Ventilation:	Convection

Mounting Style:

Flush Console Mounting (inch):	Height from surface 10 (0.4")
	Rear Fixing Brackets + VESA Mtg
Panel Cut-out (inch):	352 (13.85") W x 279 (10.98") H

Dimensions:

Display (inch):	362.9 (14.29") W x 291.9 (11.49") H
	x 77 (3.05") D

Weight:

Weight (kg):	5.5
--------------	-----

Connections:

DVI-I (Digital & RGB signals):	DVI-I 24P (Female)
RGB Signal (VGA Input):	VGA HD-15 (Female)
Composite Signal:	BNC
S-Video Input:	S-Video Socket
RS232 Interface:	DE-9 (Female)
Remote Control Interface Input:	RJ45 Socket
Remote Control Interface Output:	RJ45 Socket (Enables 'Daisy Chain')
High Density I/O Signal Interface:	78way HD D-SUB (Female) supports x1 RGB, x1 HD Component, x2 Composite, x2 S-Video + custom.
AC Power Input:	IEC Inlet (Fused)
DC Power Input:	3-pin Circular (Male) - SGV

User Controls / Indication:

Via Front Panel Indicator:	'BLUE' Power LED (ON / Standby)
Via Rear Housing:	ON/OFF Switch (Power Isolation)
	Serial Link ID Address (Rotary SW)

User Remote Control (Controls up to x7 Displays):

'Active' Display + PWR Indicator:	x7 'BLUE' LED + x1 'GREEN' LED
Pushbuttons (x3):	Menu (OSD), Select ('Active' Display from 1 to 7) & Power (ON/Standby).
Rotary Knob with Integrated PB:	Rotary - Backlight Brightness & Nav. Pushbutton - Signal Source & OSD Sub-Menu Selection.

Shipping:

Carton Size (cm) & Weight:	64 x 52 x 21 & 8Kg
----------------------------	--------------------

APPROVALS / WARRANTY

Certification:

Maritime (Compliant):	IACS E10, IEC 60945, IEC 61174 (ECDIS), IEC 62388 (Radar) & ABS.
-----------------------	------------------------------------------------------------------

Limited Warranty:

Warranty Period:	2 Year
------------------	--------

ORDERING CODES

15" Glass Bridge Monitor:	A7-1541-DV
GB Remote Control:	A7-0107-A

AAdaptiv Technologies
Barham Court, Teston,
Maidstone, Kent ME18 5BZ
United Kingdom
T: +44 (0) 845 224 3045
F: +44 (0) 845 224 3047

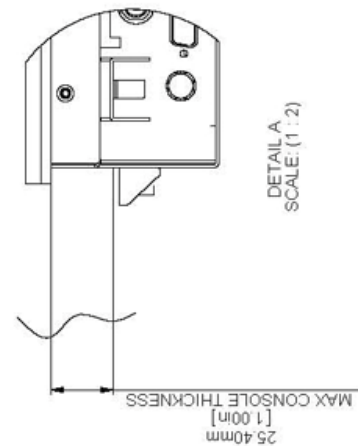
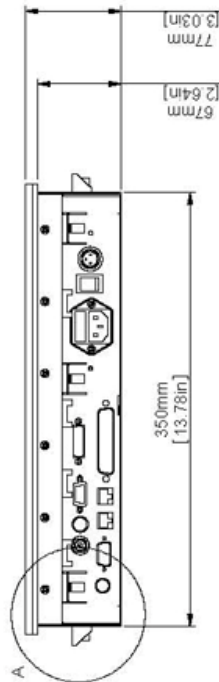
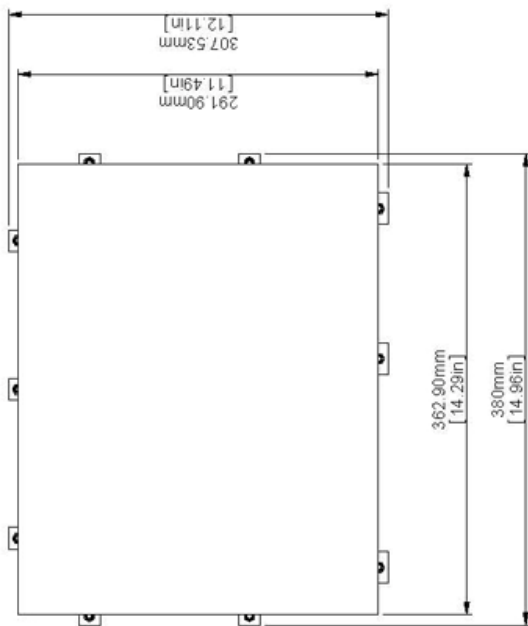
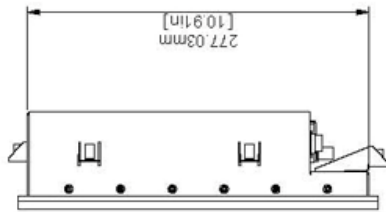
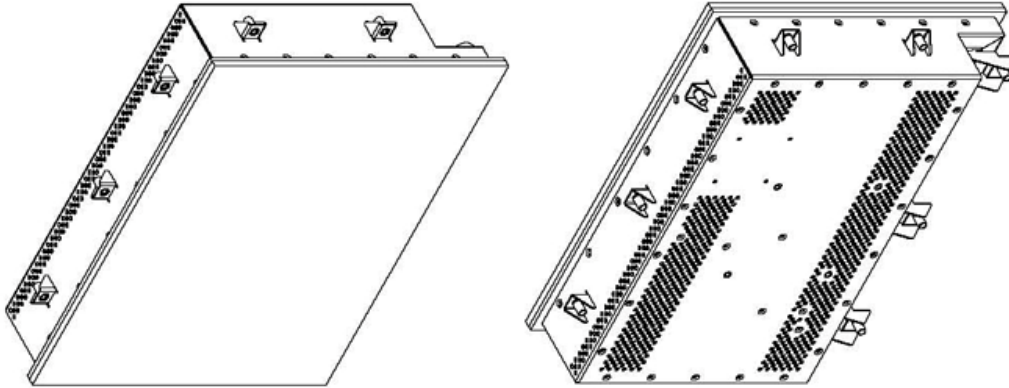
AAdaptiv Technologies
401 E.Las Olas Blvd, Suite 1400
Fort Lauderdale, Florida 33301
United States of America
T: +1 954 302 8675
F: +1 954 302 8680

AAdaptiv Technologies
41, Les Jardins du Pinet,
83350 Saint-Tropez
France
T: +33 (0)4 86 87 80 50
F: +33 (0)4 86 87 80 70

AAdaptiv Technologies
Trondhjems gate 4
2100 København Ø
Denmark
T: +45 3526 3262
F: +45 3526 3269

URL: www.aadaptiv.com, E-Mail: sales@aadaptiv.com

General Assembly & Dimensions



AAdaptiv Technologies
 Barham Court, Teston,
 Maidstone, Kent ME18 5BZ
 United Kingdom
 T: +44 (0) 845 224 3045
 F: +44 (0) 845 224 3047

AAdaptiv Technologies
 401 E. Las Olas Blvd, Suite 1400
 Fort Lauderdale, Florida 33301
 United States of America
 T: +1 954 302 8675
 F: +1 954 302 8680

AAdaptiv Technologies
 41, Les Jardins du Pinet,
 83350 Saint-Tropez
 France
 T: +33 (0)4 86 87 80 50
 F: +33 (0)4 86 87 80 70

AAdaptiv Technologies
 Trondhjems gate 4
 2100 København Ø
 Denmark
 T: +45 3526 3262
 F: +45 3526 3269

URL: www.aadaptiv.com, E-Mail: sales@adaptiv.com