

Technical Data Sheet

Product Part Number: A7-19525-DV
Last Revision: 20th October 2010
Page: 1 of 2

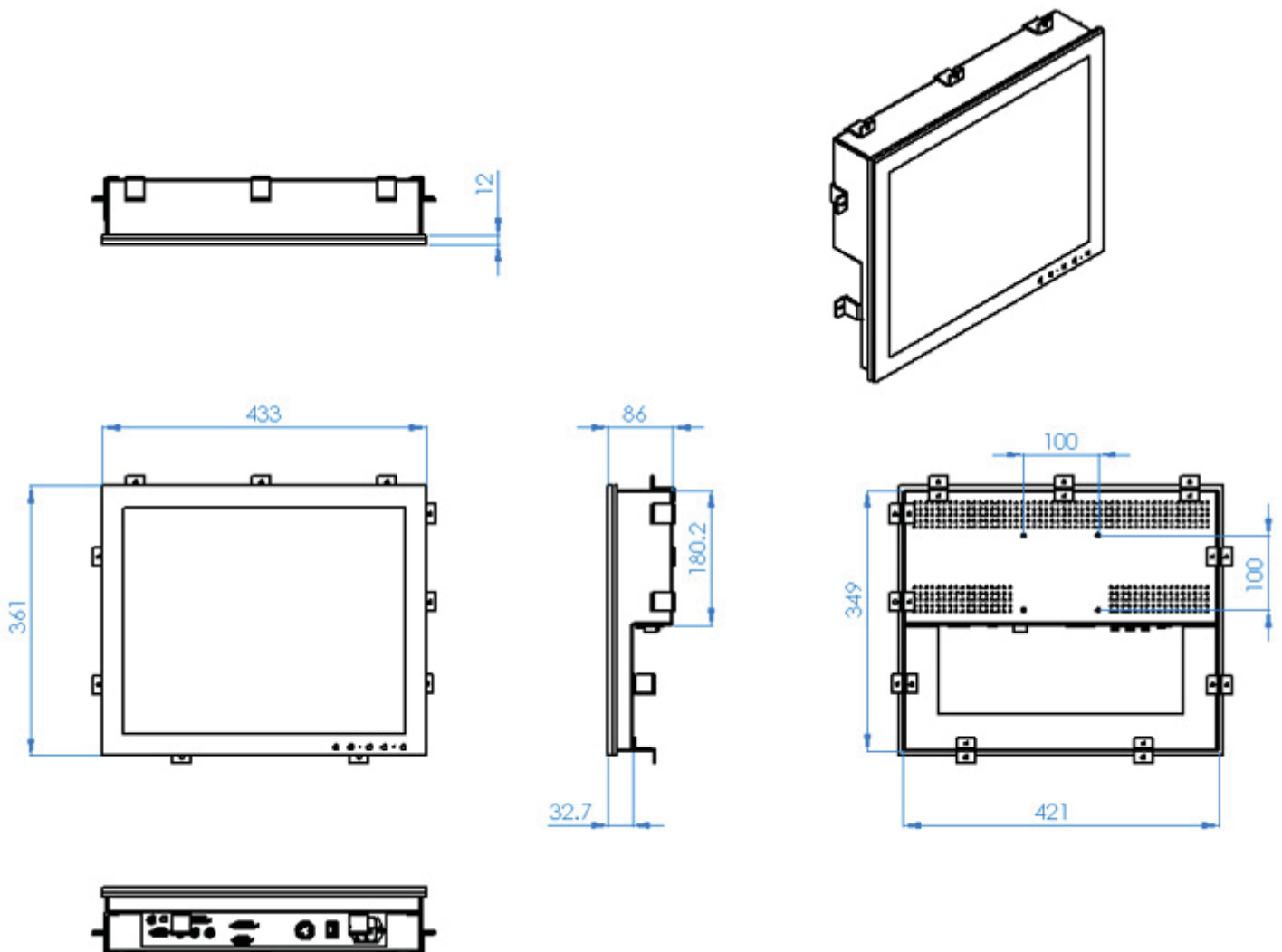
AADAPTIV TECHNOLOGIES

19in Glass Bridge LED Monitor

for Sunlight Applications...

AAdaptiv's SUNLIGHT viewable 'Edge 2 Edge' Glass Bridge Monitor incorporates the latest LED Backlight technology to meet high ambient light conditions typically found in Bridge applications. This provides increased performance, higher reliability and longer life.

Features include - Dual AC/DC power supply input. Touch sensitive controls built into the 6mm thick laminated glass front bezel providing local operator control for: Power, Deep dimming backlight brightness, OSD Menu functionality and Signal source.



AADAPTIV.COM
A COMMAND DECISION

AAdaptiv Technologies
Maidstone, United Kingdom
T: +44 845 224 3045

AAdaptiv Technologies
Fort Lauderdale, United States
T: +1 954 302 8675

AAdaptiv Technologies
Saint-Tropez, France
T: +33 4 83 58 03 40

AAdaptiv Technologies
København, Denmark
T: +45 3526 3262

General Specifications



Product Part Number: **A7-1952S-DV**

Last Revision: **20th October 2010**

Page: **2 of 2**

DISPLAY CHARACTERISTICS		CONSTRUCTION	
Size / Type :	19.0" Active Matrix TFT	Glass Front Bezel:	'Edge 2 Edge' Glass bonded to anodised aluminium machined sub-assembly
Native Resolution:	1280 x 1024 Pixels	Rear Housing:	Fabricated sheet aluminium - chemically treated Alocrom 1200
Aspect Ratio:	5:4	Protective Safety Glass:	6mm Laminated, AR coated & Optically Bonded directly to LCD Display Panel
Pixel Pitch:	0.294 (H) x 0.294 (W) mm	Ventilation:	Convection
Active Display Area:	376.32 (W) x 301.06 (H) mm	Weight (lbs):	7.9kg (17.4) approx. - Monitor ONLY
Response Time:	5 msec - Typical	Surface Mount Height (inch):	Height from surface 13mm (0.511") complete with neoprene gasket. Rear Fixing Bracket locations permit multiple monitors to be installed in close proximity
Contrast Ratio:	1000:1 - Typical	Console/Panel Cut-out Size:	421mm (16.574") W x 352mm (13.858") H
Brightness / Light Intensity:	1200cd/m ² - Typical	Overall Dimensions/Size (inch):	433mm (17.047") W x 361mm (14.212") H x 89mm (3.503") D
Viewing Angles (at CR≥10):	80° - Typical (Left/Right/Up/Down)		
Backlight Type:	LED (Light Emitting Diode)	CONNECTIONS (x9 Source Inputs)	
Backlight Dimming Range:	0 to 100% (Deep Dimming)	x2 DVI-I (Digital & RGB) signals:	29p DVI (Female) - or RGB IN with 'Y' Cable Adapter
Backlight Life Time:	50,000 Hrs	x3 Composite Video BNC signals:	BNC (Female)
Colour Depth:	16.7 Million - Depending on Graphics Card	Composite Video RCA signal:	RCA (Female)
		S-Video signal:	S-Video (Socket)
DVI-A GRAPHIC DATA INPUT (x2)		RS232 Interface:	9p D-Sub (Female)
Resolution:	VGA (640 x 480) up to UXGA (1600 x 1200)	RS422/485 Interface:	9p D-Sub (Female) - accessed via custom 'Y' Cable Adapter
Pixel Frequency:	Up to 165MHz	Touchscreen Interface:	USB Type A - Provisional (Knock-out)
Analog:	Nominal 0.7 V p-p (Max. 2.0V p-p)	AC Power Input:	IEC Inlet (Fused)
Input Impedance:	75 Ω	DC Power Input:	4p Circular (Male) - Binder 680 series
Horizontal Frequency:	15kHz to 100kHz		
Vertical Frequency:	30Hz to 100Hz for SXGA (30Hz to 65Hz for UXGA)	USER CONTROLS / INDICATION / SENSORS	
Sync on Green:	-2.0V to +5.0V	Glass Front Bezel:	Touch Sensitive LED Backlit Buttons x5 for: Power, Up, Down, Menu, Signal/Select Indicaton: Power GREEN (RED / Standby Mode) other button symbols (x4) BLUE Sensors for: Infrared Remote Control & Automatic Ambient Light Control
Separate H-Sync and V-Sync:	0.0V to +5.0V	Rear Housing:	Power ON/OFF Switch (AC power source isolation ONLY)
DVI-D GRAPHIC DATA INPUT (x2)		ENVIRONMENTAL	
Resolution:	VGA (640 x 480) up to UXGA (1600 x 1200)	Operating Temperature / Humidity:	-15°C to +55°C (5°F to 131°F) / 30 to 95% N.C.
Pixel Frequency:	25 to 165MHz	Storage Temperature / Humidity:	-20°C to +60°C (-4°F to 140°F) / 10 to 95% N.C.
Vin low max:	0.8V	Compass Safe Distance:	TBD
Vin high min:	2.0V	IP Rating:	Front Sealed to IP67 / NEMA 6 (Applies to console mounted monitors)
HDCP:	Ready -requires external Licence		
		APPROVALS / SHIPPING / WARRANTY	
COMPOSITE VIDEO DATA INPUT (x4)		Maritime Certification (pending):	IACS E10, IEC 60945, IEC 61174 (ECDIS), IEC 62388 (Radar), ABS, DNV, LRS & RINA
Input Source:	NTSC/PAL/SECAM + All Sub Standards	Carton Size (inch) & Weight (lbs):	TBD mm (TBD) & 10.5kg (23.1) approx.
		Warranty Period / Type:	2 Years / RTB (Return to Base)
S-VIDEO DATA INPUT			
Specification:	Y input 1Vpp, C input 0.286Vpp, 75Ω 1Vpp, 75Ω	NOTES	
		Touchscreen Factory Option:	On Request - IEC 60845 Compliance TBC. Contact sales office for clarification.
INPUT VOLTAGE (Dual Source AC and/or DC)		Accurate Demensions:	Go to www.aadaptiv.com and download relevant 3D Model / .DWG drawing
AC Input:	90 to 264V 50/60 Hz	EDID Support:	Programmable memory onboard pre-programmed with universal EDID nfo...
DC Input:	12 to 24V DC		
Power Source/Switching:	With both AC & DC connected - AC Input sourced		
Power Consumption:	TBD < 60 watts		
		* Due to a policy of continuous product development Aadaptiv Technologies Limited reserves the right to change specifications and descriptions without prior notification.	

AADAPTIV.COM
A COMMAND DECISION

sales@adaptiv.com