

# Technical Data Sheet

Product Part Number: A7-1952D-DV  
Last Revision: 20th October 2010  
Page: 1 of 2

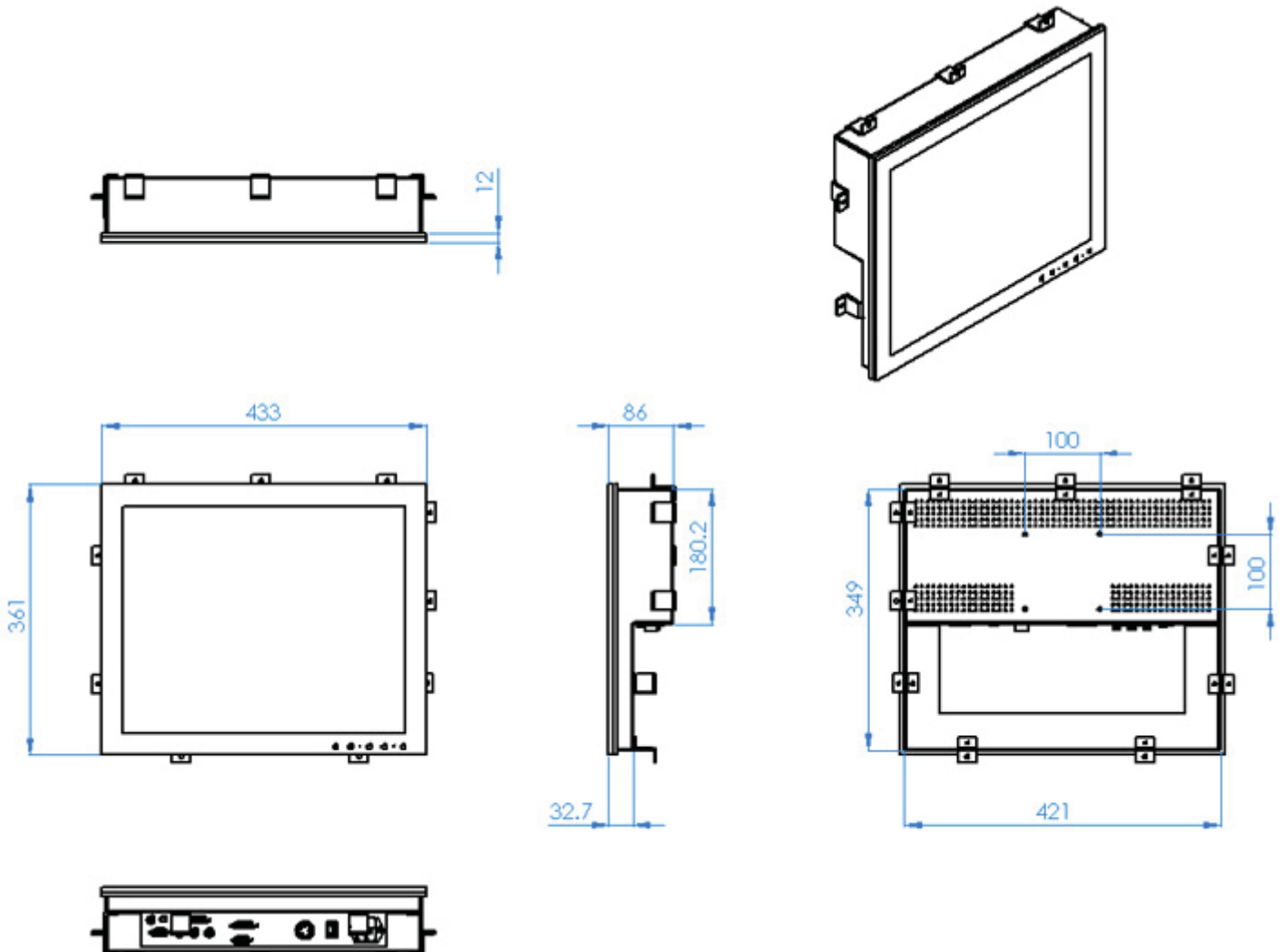


## 19in Glass Bridge LED Monitor

for Daylight Applications...

AAdaptiv's DAYLIGHT viewable 'Edge 2 Edge' Glass Bridge Monitor incorporates the latest LED Backlight technology to meet ambient light conditions typically found in Bridge applications. This provides increased performance, higher reliability and longer life.

Features include - Dual AC/DC power supply input. Touch sensitive controls built into the 6mm thick laminated glass front bezel providing local operator control for: Power, Deep dimming backlight brightness, OSD Menu functionality and Signal source.



**AADAPTIV.COM**  
A COMMAND DECISION

**AAdaptiv Technologies**  
Maidstone, United Kingdom  
T: +44 845 224 3045

**AAdaptiv Technologies**  
Fort Lauderdale, United States  
T: +1 954 302 8675

**AAdaptiv Technologies**  
Saint-Tropez, France  
T: +33 4 83 58 03 40

**AAdaptiv Technologies**  
København, Denmark  
T: +45 3526 3262

# General Specifications



Product Part Number: **A7-1952D-DV**

Last Revision: **20th October 2010**

Page: **2 of 2**

DISPLAY CHARACTERISTICS		CONSTRUCTION	
Size / Type :	19.0" Active Matrix TFT	Glass Front Bezel:	'Edge 2 Edge' Glass bonded to anodised aluminium machined sub-assembly
Native Resolution:	1280 x 1024 Pixels	Rear Housing:	Fabricated sheet aluminium - chemically treated Alocrom 1200
Aspect Ratio:	5:4	Protective Safety Glass:	6mm Laminated, AR coated & Optically Bonded directly to LCD Display Panel
Pixel Pitch:	0.294 (H) x 0.294 (W) mm	Ventilation:	Convection
Active Display Area:	376.32 (W) x 301.06 (H) mm	Weight (lbs):	7.9kg (17.4) approx. - Monitor ONLY
Response Time:	5 msec - Typical	Surface Mount Height (inch):	Height from surface 13mm (0.511") complete with neoprene gasket. Rear Fixing Bracket locations permit multiple monitors to be installed in close proximity
Contrast Ratio:	750:1 - Typical	Console/Panel Cut-out Size:	421mm (16.574") W x 352mm (13.858") H
Brightness / Light Intensity:	1200cd/m <sup>2</sup> - Typical	Overall Dimensions/Size (inch):	433mm (17.047") W x 361mm (14.212") H x 89mm (3.503") D
Viewing Angles (at CR≥10):	80° - Typical (Left/Right/Up/Down)		
Backlight Type:	LED (Light Emitting Diode)	<b>CONNECTIONS (x9 Source Inputs)</b>	
Backlight Dimming Range:	0 to 100% (Deep Dimming)	x2 DVI-I ( Digital & RGB) signals:	29p DVI (Female) - or RGB IN with 'Y' Cable Adapter
Backlight Life Time:	50,000 Hrs	x3 Composite Video BNC signals:	BNC (Female)
Colour Depth:	16.7 Million - Depending on Graphics Card	Composite Video RCA signal:	RCA (Female)
		S-Video signal:	S-Video (Socket)
<b>DVI-A GRAPHIC DATA INPUT (x2)</b>		RS232 Interface:	9p D-Sub (Female)
Resolution:	VGA (640 x 480) up to UXGA (1600 x 1200)	RS422/485 Interface:	9p D-Sub (Female) - accessed via custom 'Y' Cable Adapter
Pixel Frequency:	Up to 165MHz	Touchscreen Interface:	USB Type A - Provisional (Knock-out)
Analog:	Nominal 0.7 V p-p (Max. 2.0V p-p)	AC Power Input:	IEC Inlet (Fused)
Input Impedance:	75 Ω	DC Power Input:	4p Circular (Male) - Binder 680 series
Horizontal Frequency:	15kHz to 100kHz		
Vertical Frequency:	30Hz to 100Hz for SXGA (30Hz to 65Hz for UXGA)	<b>USER CONTROLS / INDICATION / SENSORS</b>	
Sync on Green:	-2.0V to +5.0V	Glass Front Bezel:	Touch Sensitive LED Backlit Buttons x5 for: Power, Up, Down, Menu, Signal/Select Indicator: Power GREEN (RED / Standby Mode) other button symbols (x4) BLUE Sensors for: Infrared Remote Control & Automatic Ambient Light Control
Separate H-Sync and V-Sync:	0.0V to +5.0V	Rear Housing:	Power ON/OFF Switch (AC power source isolation ONLY)
<b>DVI-D GRAPHIC DATA INPUT (x2)</b>		<b>ENVIRONMENTAL</b>	
Resolution:	VGA (640 x 480) up to UXGA (1600 x 1200)	Operating Temperature / Humidity:	-15°C to +55°C (5°F to 131°F) / 30 to 95% N.C.
Pixel Frequency:	25 to 165MHz	Storage Temperature / Humidity:	-20°C to +60°C (-4°F to 140°F) / 10 to 95% N.C.
Vin low max:	0.8V	Compass Safe Distance:	TBD
Vin high min:	2.0V	IP Rating:	Front Sealed to IP67 / NEMA 6 (Applies to console mounted monitors)
HDCP:	Ready -requires external Licence		
		<b>APPROVALS / SHIPPING / WARRANTY</b>	
<b>COMPOSITE VIDEO DATA INPUT (x4)</b>		Maritime Certification (pending):	IACS E10, IEC 60945, IEC 61174 (ECDIS), IEC 62388 (Radar), ABS, DNV, LRS & RINA
Input Source:	NTSC/PAL/SECAM + All Sub Standards	Carton Size (inch) & Weight (lbs):	TBD mm (TBD) & 10.5kg (23.1) approx.
		Warranty Period / Type:	2 Years / RTB (Return to Base)
<b>S-VIDEO DATA INPUT</b>			
Specification:	Y input 1Vpp, C input 0.286Vpp, 75Ω 1Vpp, 75Ω	<b>NOTES</b>	
		Touchscreen Factory Option:	On Request - IEC 60845 Compliance TBC. Contact sales office for clarification.
<b>INPUT VOLTAGE (Dual Source AC and/or DC)</b>		Accurate Dimensions:	Go to <a href="http://www.aadaptiv.com">www.aadaptiv.com</a> and download relevant 3D Model / .DWG drawing
AC Input:	90 to 264V 50/60 Hz	EDID Support:	Programmable memory onboard pre-programmed with universal EDID info...
DC Input:	12 to 24V DC		
Power Source/Switching:	With both AC & DC connected - AC Input sourced		
Power Consumption:	TBD < 55 watts		
		* Due to a policy of continuous product development Aadaptiv Technologies Limited reserves the right to change specifications and descriptions without prior notification.	

**AADAPTIV.COM**  
A COMMAND DECISION

**sales@adaptiv.com**