

## Elite Computer

### SYSTEM SPECIFICATIONS

#### System Characteristics:

- Operating System: Genuine Windows Vista® Business with downgrade to Windows XP Professional custom installed.
- Processor: Intel® Core™ 2 Duo E8600 CPU, 3.33Ghz, 6 MB L2 Cache, 133 MHz FSB - Featuring vPro Technology.
- Chipset: Intel® Q45 Express.
- Memory: 3 GB DDR2 Synch DRAM PC2 6400 ( 800 MHz ) Non-ECC.
- RAID: RAID1 Configuration: Mirrored Pair.
- Hard Drive (s): x2 250GB SATA 3.0GB/s with NCQ & Smart IV installed.
- Removable Media: HP SATA SuperMulti LightScribe DVD Writer Drive.
- Expansion Slots: x4 Low Profile Slots  
x1 PCI  
x2 PCI Express x16  
x1 PCI Express x1
- Allocated Exp Slots ( Factory ): x1 PCIe x16 = NVIDIA Graphics Card  
x1 PCIe x16 = FREE  
x1 PCIe x1 = Serial Interface Card  
x1 PCI = Parallel Printer Port / FREE  
Note:  
Parallel Printer can be removed to provide 2 Spare Slots.
- Onboard Graphics: Intel Graphics Media Accelerator 4500 (integrated on chipset).  
Note:  
Above inoperable due to NVIDIA DH Graphics Card Installed
- Dual Head - Graphics: Dedicated NVIDIA Quadro NVS 290 256MB DH PCIe Card.
- Resolution Support: Dual integrated analog display controllers supporting up to 2 analog monitors at 2048 x 1536 @ 85Hz or 2 digital monitors at 1920 x 1200
- Multi-Monitor Support: Dual Monitor support: configure either Dual DVI or VGA video outputs.  
DMS-59 to Dual DVI & DMS-59 to Dual VGA cables supplied.
- Audio: Integrated HD audio with AD11884 codec, internal PC speaker.
- Communications: Integrated Intel® 82567LM Gigabit Network Connection.
- Serial Ports: x4 RS232/422/485 - software Config.  
x1 RS232

#### Input Voltage:

AC Input: 90 to 264VAC 50/60 Hz

#### Energy Consumption:

- 115V AC Supply: 55.58 W ( Normal Operation )  
230V AC Supply: 56.06 W ( Normal Operation )  
115V AC Supply: 2.47 W ( Sleep - Energy Star Mode )  
230V AC Supply: 2.76 W ( Sleep - Energy Star Mode )

*Energy Consumption Data based on a typically configured PC without Expansion Cards...*

#### Heat Dissipation:

- 115V AC Supply: 190 BTU/hr ( Normal Operation )  
230V AC Supply: 192 BTU/hr ( Normal Operation )  
115V AC Supply: 8 BTU/hr ( Sleep )  
230 V AC Supply: 9 BTU/hr ( Sleep )

*Heat Dissipation is calculated based on the measured watts, assuming the service level is attained for one hour...*

#### Environmental:

- Operating Temperature<sup>1</sup>: 50 ~ +95°F / 10 ~ +35°C  
Storage Temperature: -22 ~ +140°F / -30 ~ +60°C  
Operating Humidity: 10% ~ 90% (Non-Condensing)  
Storage Humidity: 5% ~ 95% (Non-Condensing)

*Leave at least 100mm (4 inch) clearance on all vented sides of the computer to permit the required airflow.*

#### Connections:

- NVIDIA Video Outputs: DVI x2, VGA x2 via 'Y' Cables  
Onboard Video Outputs: VGA & DisplayPort inoperable  
USB: x8 Type A  
Serial Ports: x5 9pin D Type  
Mouse: PS/2  
Keyboard: PS/2  
LAN Ethernet: RJ45 Socket  
Printer Parallel Port: 25pin D Type  
Audio: Input, Mic (x2) & Headphone (x2)  
AC Power Input: IEC Inlet (Fused)

#### Dimensions:

- Small Form Factor PC (inch): 337.8 (13.3") W x 100.3 (3.95") H  
378.5 (14.9") D

#### Shipping:

- Carton Size (cm) & Weight: 59 x 51 x 22 & 11.86Kg

#### Approvals:

- Commercial: FCC, DE, BSMI, C-Tick, VCCI, MIC  
cUL, TUV-T, USB-IF, WHQL.

#### Limited Warranty:

- Warranty Period: 3 Year

### ORDERING CODES

- Elite Computer: A3-7900-STD-AC  
Anti-vibration / Shock Mtg Kit: A3-7900-KIT

**AAdaptiv Technologies**  
Barham Court, Teston,  
Maidstone, Kent ME18 5BZ  
United Kingdom  
T: +44 (0) 845 224 3045  
F: +44 (0) 845 224 3047

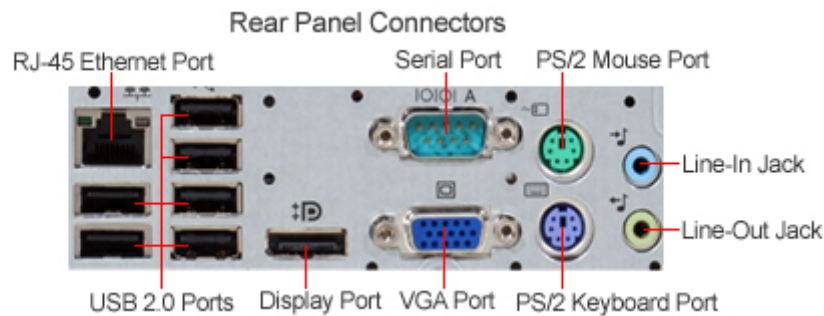
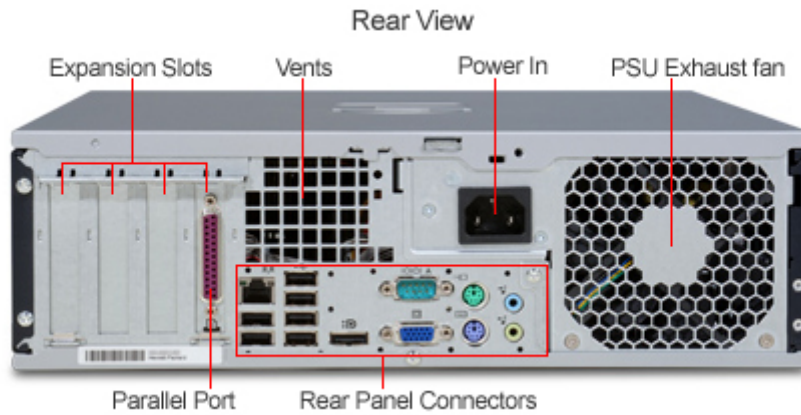
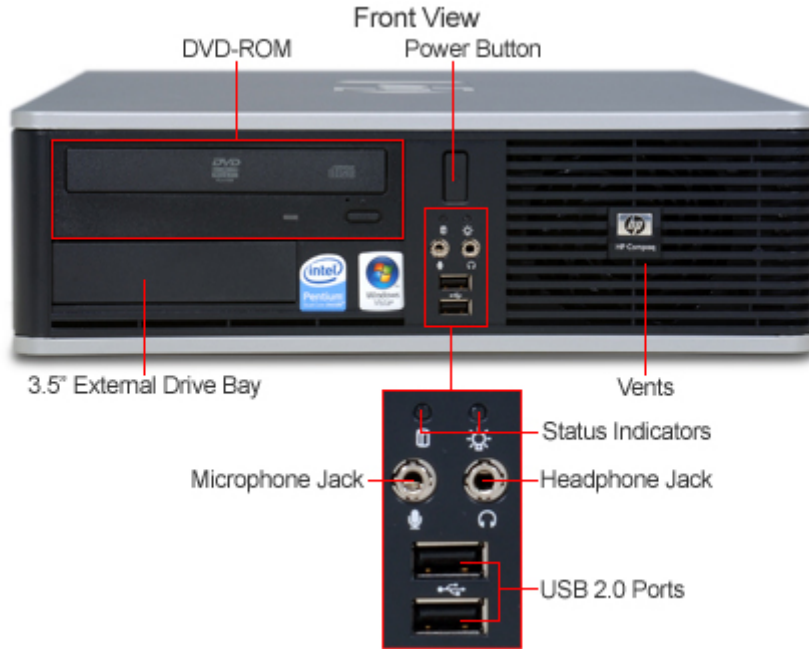
**AAdaptiv Technologies**  
401 E.Las Olas Blvd, Suite 1400  
Fort Lauderdale, Florida 33301  
United States of America  
T: +1 954 302 8675  
F: +1 954 302 8680

**AAdaptiv Technologies**  
41, Les Jardins du Pinet,  
83350 Saint-Tropez  
France  
T: +33 (0)4 86 87 80 50  
F: +33 (0)4 86 87 80 70

**AAdaptiv Technologies**  
Trondhjems gate 4  
2100 København Ø  
Denmark  
T: +45 3526 3262  
F: +45 3526 3269

URL: [www.aadaptiv.com](http://www.aadaptiv.com), E-Mail: [sales@aadaptiv.com](mailto:sales@aadaptiv.com)

## General Assembly W/Out Expansion Cards



**AAdaptiv Technologies**  
 Barham Court, Teston,  
 Maidstone, Kent ME18 5BZ  
 United Kingdom  
 T: +44 (0) 845 224 3045  
 F: +44 (0) 845 224 3047

**AAdaptiv Technologies**  
 401 E.Las Olas Blvd, Suite 1400  
 Fort Lauderdale, Florida 33301  
 United States of America  
 T: +1 954 302 8675  
 F: +1 954 302 8680

**AAdaptiv Technologies**  
 41, Les Jardins du Pinet,  
 83350 Saint-Tropez  
 France  
 T: +33 (0)4 86 87 80 50  
 F: +33 (0)4 86 87 80 70

**AAdaptiv Technologies**  
 Trondhjems gate 4  
 2100 København Ø  
 Denmark  
 T: +45 3526 3262  
 F: +45 3526 3269

URL: [www.aadaptiv.com](http://www.aadaptiv.com), E-Mail: [sales@aaadaptiv.com](mailto:sales@aaadaptiv.com)